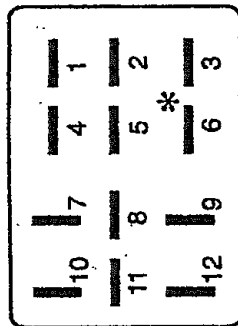
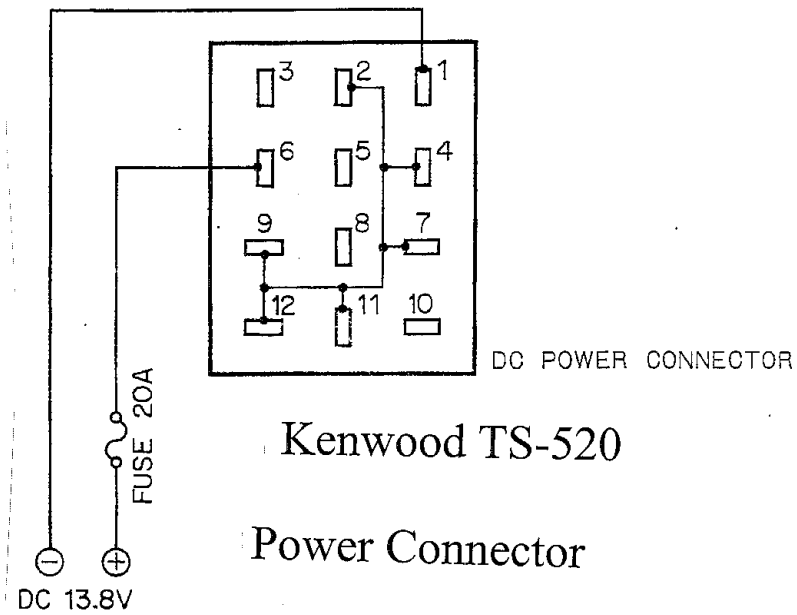


Kenwood TS-520 Power Connector

Note:

Molex terminal numbers **do not** match Kenwood !



3312

* Indicates location of pre-grounding contact.